

TWIN EAGLES X ACCESS DOORS

MODELS: TXAD-18L TXAD-26
 TXAD-18R TXAD-32



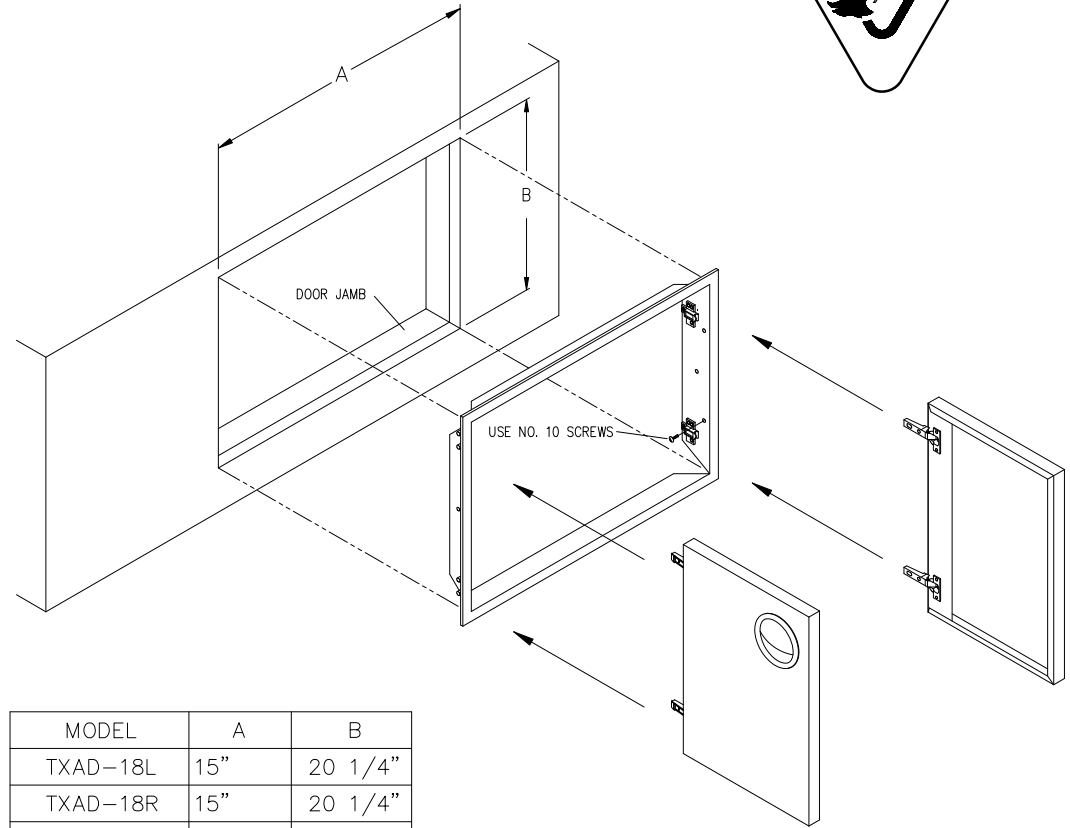
INSTALLATION INSTRUCTIONS

1. PROVIDE CUT OUT AND DOOR JAMB WITH INSIDE DIMENSIONS AS FOLLOWS:
 - 15" x 20 1/4" FOR TXAD-18L
 - 15" x 20 1/4" FOR TXAD-18R
 - 23 1/4" x 20 1/4" FOR TXAD-26
 - 29 1/4" x 20 1/4" FOR TXAD-32
2. CHECK FITTING OF FRAME AGAINST CUTOUT.
3. SECURE THE STEEL FRAME USING NO. 10 SCREWS
4. ATTACH DOORS TO FRAME (SEE FIG. 1).
5. ADJUST DOOR AS FOLLOWS:

A) FOR HEIGHT ADJUSTMENT, LOOSEN THE ADJUSTING SCREW ATTACHED ON THE MOUNTING PLATE. ADJUST DOOR AND RETIGHTEN SCREW (SEE FIGURE A).

B) FOR SIDE ADJUSTMENT, TURN FRONT SCREW ON DOOR HINGE TO MOVE DOOR SIDWAYS (SEE FIGURE B).

C) FOR DEPTH ADJUSTMENT, TURN REAR SCREW ON DOOR HINGE TO MOVE DOOR BACK AND FORTH. (SEE FIGURE C)



MODEL	A	B
TXAD-18L	15"	20 1/4"
TXAD-18R	15"	20 1/4"
TXAD-26	23 1/4"	20 1/4"
TXAD-32	29 1/4"	20 1/4"

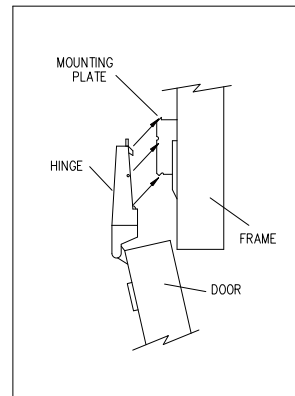


FIG 1

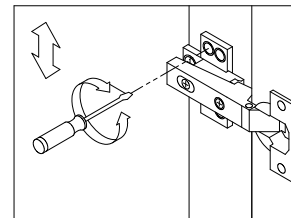


FIG A
HEIGHT ADJUSTMENT

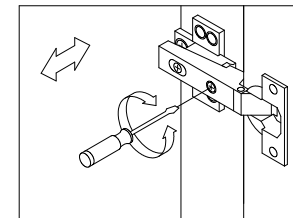


FIG B
SIDE ADJUSTMENT

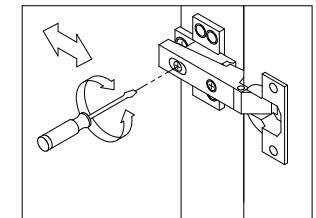


FIG C
DEPTH ADJUSTMENT