

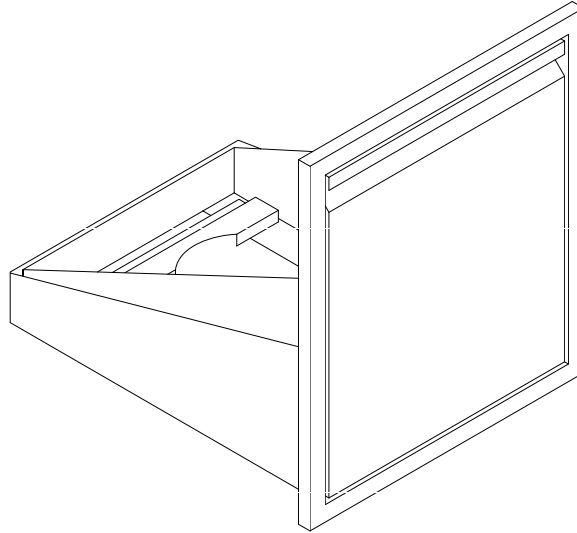


TWINEAGLES

U S A

Defining the Art of Outdoor Cooking

Twin Eagles Trash/ Tank Drawer



TETD18-B

Features:

- ▼ Superior welding and finish
- ▼ Stainless steel welded construction
- ▼ Heavy duty, 100 lbs capacity, full extension and removable slides
- ▼ High-polished, non-protruding drawer handle
- ▼ One-piece 18 gauge front frame
- ▼ Adjustable brackets to fit standard sizes trash can and LP tanks
- ▼ Easy to install

Specifications:

Overall Dimensions

	TETD18-B
Height	: 20.75"
Width	: 18.00
Depth	: 20.75"
Ship Weight	: 28 lbs

Cutout Dimensions

Height	: 19.00"
Width	: 16.25"
Depth	: n/a

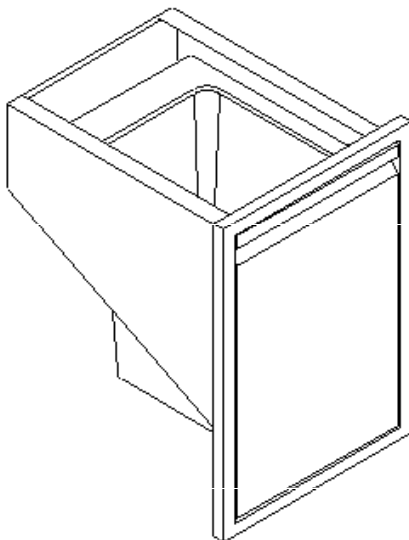


TWINEAGLES

U S A

Defining the Art of Outdoor Cooking

Twin Eagles Tall Trash Drawer



TETD18T-B

Features:

- ▼ Superior welding and finish
- ▼ Stainless steel welded construction
- ▼ Heavy duty, 100 lbs capacity, full extension and removable slides
- ▼ High-polished, non-protruding drawer handle
- ▼ One-piece 18 gauge front frame
- ▼ Trash can INCLUDED
- ▼ Easy to install

Specifications:

Overall Dimensions

	TETD18T-B
Height	: 26.00"
Width	: 18.00
Depth	: 20.75"
Ship Weight	: 35 lbs

Cutout Dimensions

Height	: 24.25"
Width	: 16.25"
Depth	: n/a