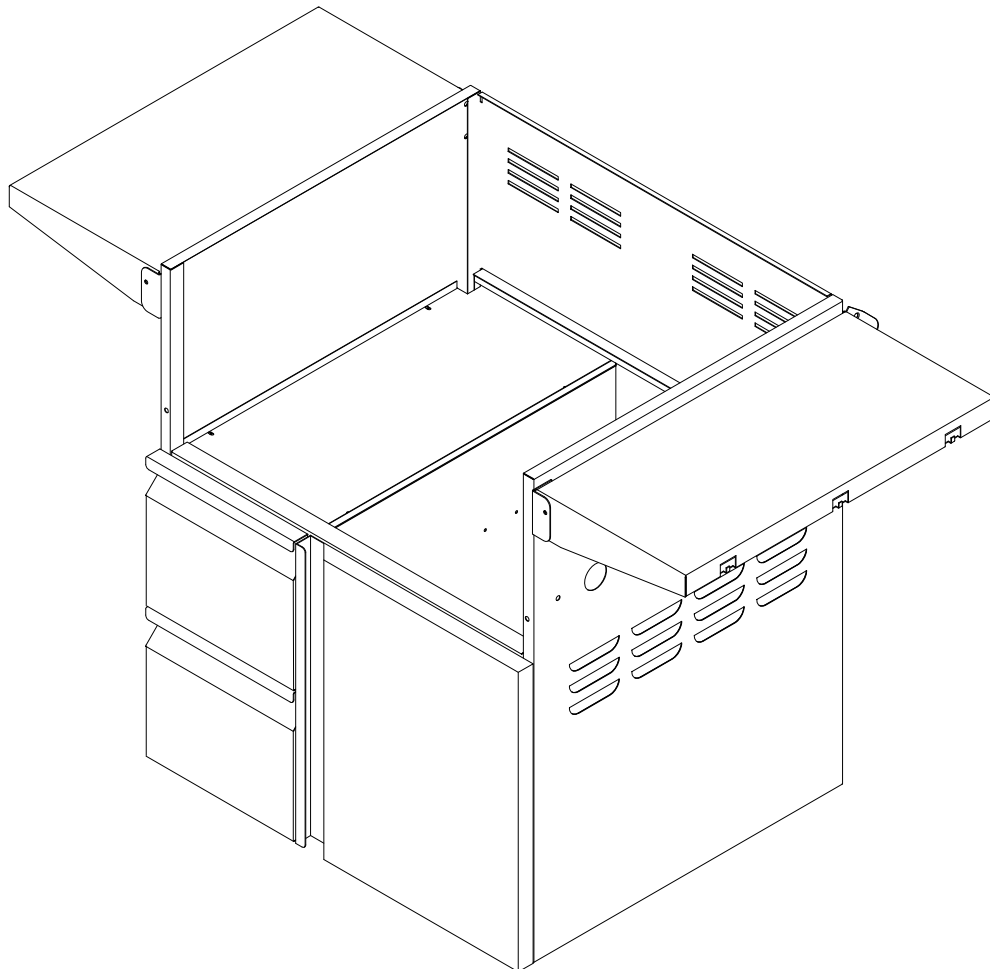




# TWIN EAGLES GRILL BASE

## BASE ASSEMBLY & GRILL HEAD INSTALLATION

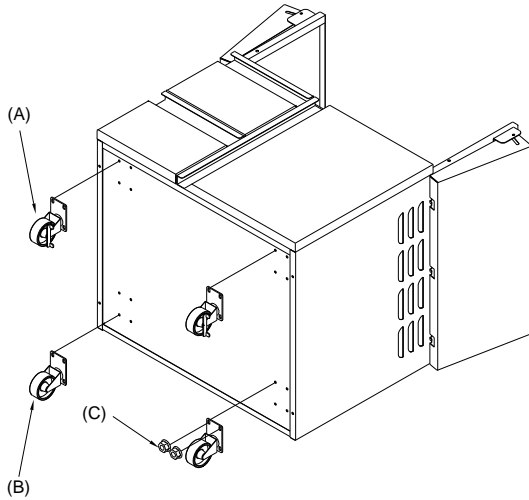


TEGB30SD-B Grill Base shown.

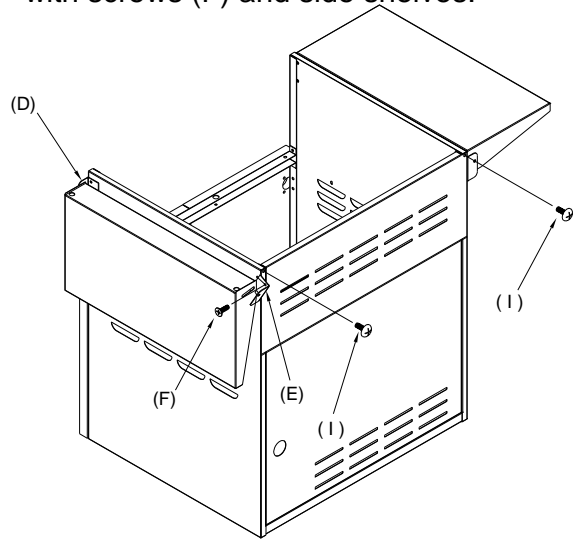
Model: TEGB30-B  
TEGB30SD-B  
TEGB36-B  
TEGB36SD-B  
TEGB42SD-B

# ASSEMBLY INSTRUCTIONS –TWIN EAGLES GRILL BASE

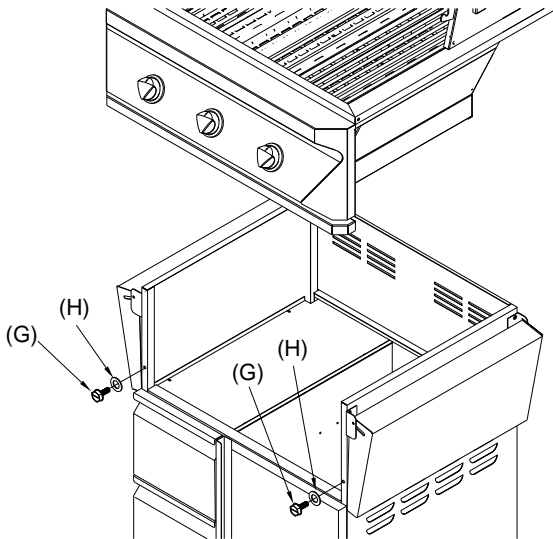
1. Install casters w/ brakes (A) at the front of the base and casters w/ out brakes (B) at the rear and secure them with nuts (C).



2. Install shelf brackets (D) and (E) securing them with screws (F) and side shelves.



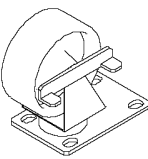
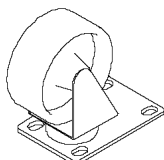
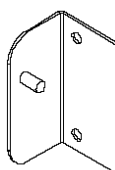
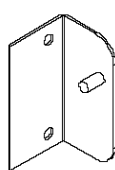
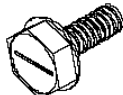
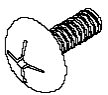

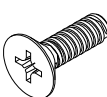

3. Remove hex-head screws (G) and flat-washer (H) using a  $\frac{5}{16}$ " wrench and place the grill head into the cart.



4. Install the hex-head screws (G) with flat-washer (H) back into place by initially hand tightening them. Then use the  $\frac{5}{16}$ " wrench to tighten the screws completely.

5. Fasten the BBQ grill at the top-rear corners using the Philip screws (I), reference picture no.2.



 <p>(A) Caster w/ brake (Qty. 2)</p>	 <p>(B) Caster (Qty. 2)</p>	 <p>(D) Shelf Bracket (LEFT) (Qty. 2)</p>	 <p>(E) Shelf Bracket (RIGHT) (Qty. 2)</p>	 <p>(G) Hex-head Philips screw (pre-installed w/ washers) (Qty. 2)</p>	 <p>(I) 10-32 x <math>\frac{1}{2}</math>" Phillips Screw (Qty. 2)</p>
 <p>(C) <math>\frac{1}{4}</math>"-20 hex nut (Qty. 16)</p>		 <p>(F) Flat head screws (Qty. 8)</p>		 <p>(H) Flat-washer (pre-installed w/ hex-screw) (Qty. 2)</p>	

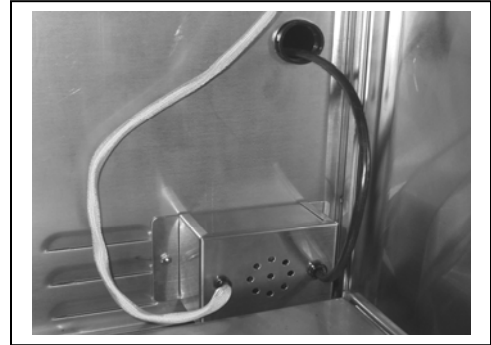


## ADDITIONAL INSTRUCTIONS –TWIN EAGLES GRILL BASE

### TO SECURE POWER TRANSFORMER

All grill models with interior lights have a power transformer which is concealed in a stainless steel box with an attached power supply cord. This transformer must be secured in a dry location and away from excessive heat.

1. In a base cart application, 2 mounting screws with nuts are provided at the bottom-right-rear corner of the cart. If not provided, drill 2 holes using the transformer box as a template. Secure the transformer box as shown.
2. Plug-in the transformer's power cord to the properly grounded GFCI 120V outlet.
3. Connect the transformer harness to the harness located at back of the grill.



### SIDE SHELF

Side shelf UP (User position): Hold the side shelf from the end, flip it up and push the side shelf down at the bracket area. Be sure that the side shelf has lock down before placing items on the shelf.

Side shelf DOWN (Non-users position): Hold the side shelf from the sides around the bracket area, pull it up and then flip it down.

